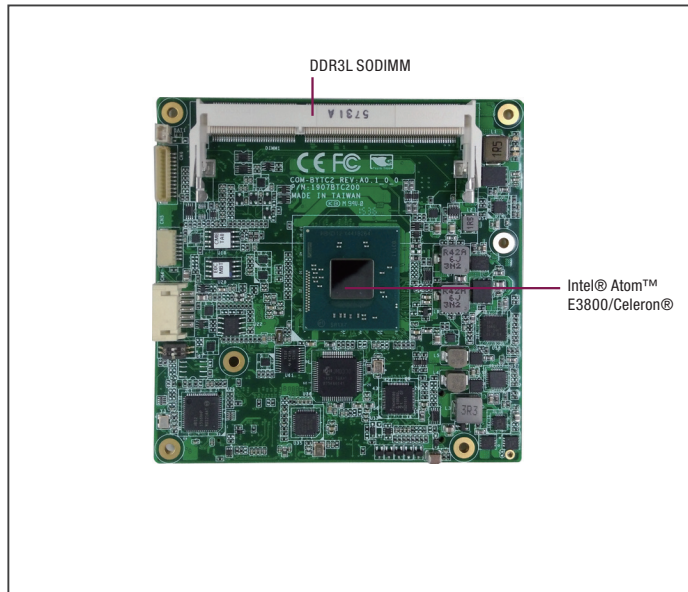


# COM-BYTC2

COM Express Type 2 Compact Size with Intel® Atom™/ Celeron® Processor



## Features

- Intel® Atom™/ Celeron® Processor SoC
- DDR3L SODIMM x 1, up to 8 GB, non-ECC Support
- Gigabit Ethernet x 1
- 18/24-bit Dual Channel LVDS LCD, VGA, eDP
- High Definition Audio Interface
- SATA x 1, PATA x 1 (1 Device)
- USB 2.0 x 7, GPIO 8-bit, PCI-Express [x1] x 2 (Optional, up to 3), 32-bit PCI x 4
- COM Express Type 2 Compact Size 95mm x 95mm

## Specifications

System	
Form Factor	COM Express Compact Size
CPU	Onboard Intel® Atom™ Processor SoC
CPU Frequency	Up to J1900 1.91 GHz, Quad core
Chipset	Intel® Atom™ SoC
Memory Type	DDR3L 1066/1333, SODIMM x 1
Max. Memory Capacity	8GB
BIOS	AMI BIOS, Legacy Free
Wake on LAN	Yes
Watchdog Timer	255 levels
Power Requirement	Standard: +12V
Power Supply Type	AT/ATX Selection
Power Consumption (Typical)	1A@ 12V with J1900, full load
Dimension (L x W)	3.75" x 3.75" (95mm x 95mm)
Operating Temperature	32°F ~ 140°F (0°C ~ 60°C)
Storage Temperature	-4°F ~ 158°F (-20°C ~ 70°C)
Operating Humidity	10% ~90% relative humidity, non-condensing
MTBF (Hours)	80,000
Certification	CE/FCC Class A
Display	
VGA/LCD Controller	Intel® Atom™ SoC
Video Output	VGA, LVDS, eDP
LVDS Interface	—
I/O	
Ethernet	Intel® I210IT, Gigabit Ethernet
Audio	HD Audio
USB Port	USB 2.0 x 7
Serial Port	—
HDD Interface	SATA x 1, PATA x 1
Onboard Storage	—
Expansion Slot	PCIe[x1] x 2 (up to 2 devices) PCI x 4 LPC SMBus I2C
GPIO	GPIO 8-bit
TPM	Optional



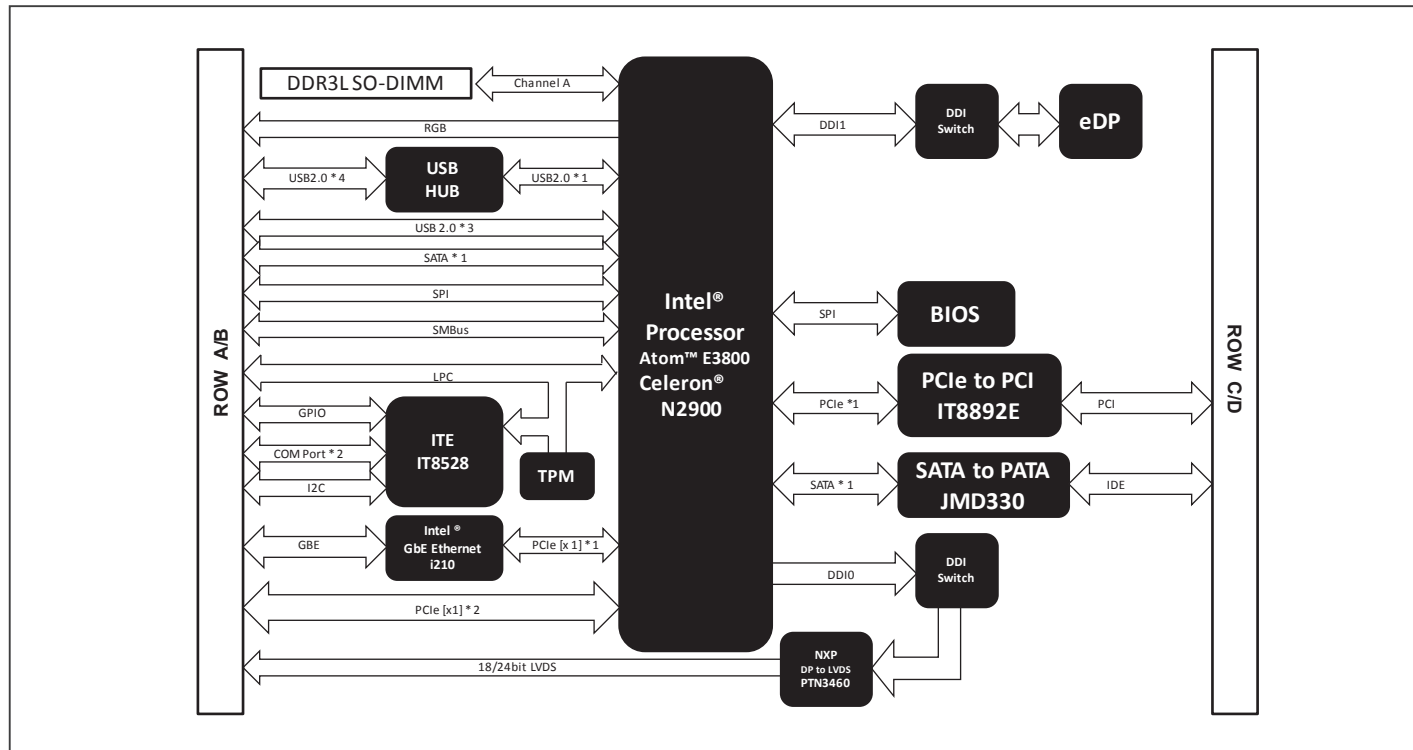
## Packing List

- M2.5 Screw x 5
- COM-BYTC2

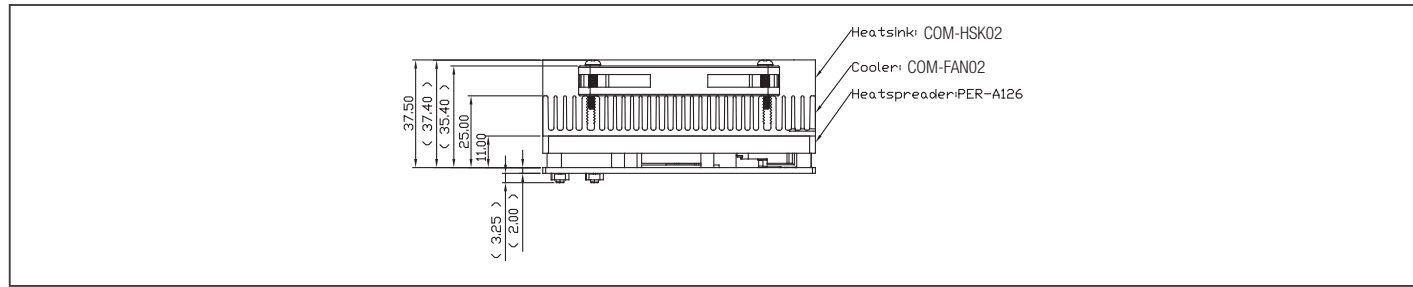
## Optional Accessories

- **TF-ECB-916M-B11-01**  
COM Express Carrier board, microATX, Dual Ethernet, 2 COM (Winbond), USB, PCI-Express, AT/ATX, Rev.B1.1
- **PER-A126**  
Heat Spreader, For COM-BYTC2, Onboard CPU
- **COM-HSK02**
- **COM-FAN02**  
CPU Cooler, 95 x 95 x 26.5mm, Silver, use with HSP

### Block Diagram Unit: mm



### Dimension Unit: mm



### Ordering Information

Part Number	Form Factor	CPU	Memory	Display	LVDS	Storage	LAN	USB	UART	Expansion	Power	Temperature	Other
COM-BYTC2-A10-0001	COM Express Type 2	J1900, 2.0 GHz	DDR3 (Max 8 GB), SODIMM x 1	CRT, LVDS/eDP	24bit, 2CH	SATA, PATA x 1	GbE x 1	USB 2.0 x 7	—	PCIe(x1) x2(up to 3), PCI	+12V (ATX)	0°C ~ 60°C	LPC,GPIO 8Bit, HDA, I2C, SMBus
COM-BYTC2-A10-0002	COM Express Type 2	E3845, 1.91 GHz	DDR3 (Max 8 GB), SODIMM x 1	CRT, LVDS/eDP	24bit, 2CH	SATA, PATA x 1	GbE x 1	USB 2.0 x 7	—	PCIe(x1) x2(up to 3), PCI	+12V (ATX)	0°C ~ 60°C	LPC,GPIO 8Bit, HDA, I2C, SMBus

Note: All specifications are subject to change without notice.