

Datasheet

2.5" SATA SSD

3SR3-P series

- Compliant with MIL-STD-810-F/G
- Data security (QEraser/ SEraser/ Destroy/ Write Protect)
- High random R/W performance
- iSMART disk health monitoring
- Intelligent error recovery system
- iData Guard/iCell technology for data protection
- Conformal coating (optional)



Introduction

Innodisk 2.5" SATA SSD 3SR3-P is a SATA III 6.0 GB/s Flash based disk, which delivers excellent performance and reliability. Especially, it comes with several data security functions, including QEraser/ SEraser/ Destroy and also Write Protect. All the security functions can be triggered both by hardware and software approaches. The SSD is equipped ruggedized hardware design and thus it can perform well in the harsh environment. 2.5" SATA SSD 3SR3-P is developed with Innodisk owned technical knowhow to ensure the data integrity and highest levels of reliability.

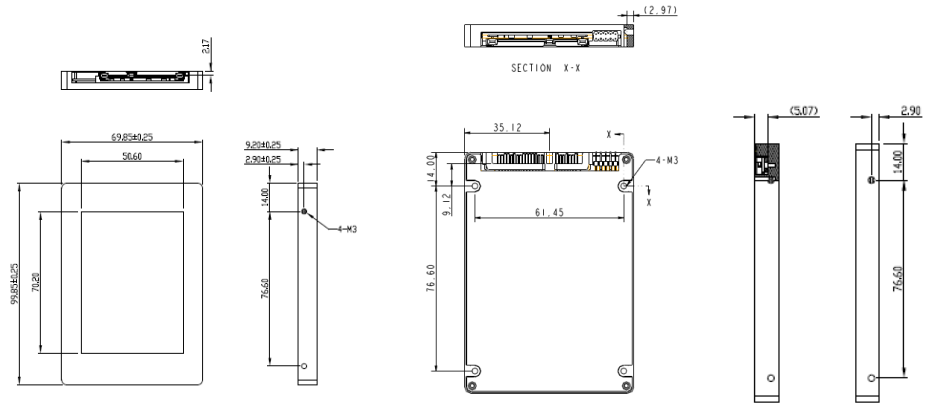
2.5" SATA SSD

3SR3-P series

Drawing

Contact us for more information about the 2.5" SATA SSD 3SR3-P

Innodisk is a service-driven provider of industrial embedded flash and DRAM storage products and technologies, with a focus on the industrial/embedded, aerospace and defense, and cloud computing industries.



Specifications

Interface	SATA III
Flash Type	SLC
Capacity	8GB~512GB
Max. Channels	4
Sequential R/W (MB/sec, max.)	490 / 280
4KB Random (QD32) R/W (IOPS)	29,000/35,000
Max. Power Consumption	2.65 W (5V x 530mA)
Thermal Sensor	√
External DRAM Buffer	√
H/W Write Protect	√
ATA Security	√
S.M.A.R.T.	√
Dimension (WxLxH)	69.8 X 100.1 X 9.2 mm
Environment	Vibration: 20G @7~2000Hz Shock: 1500G @ 0.5ms Storage Temperature: -55°C ~ +95°C MTBF: 3 million hours
Note: Performance is based on CrystalDiskMark 3.03 with file size 1000MB	

Headquarters (Taiwan)

5F., No.237, Sec. 1, Datong Rd.,
Xizhi Dist., New Taipei City,
Taiwan (R.O.C.)
Tel: +886-2-77033000
Email: sales@innodisk.com

Branch Offices:

USA
usasales@innodisk.com
+1-510-770-9421
Europe
eusales@innodisk.com
+31-040-282-1818
Japan
jpsales@innodisk.com
+81-3-6667-0161
China
sales_cn@innodisk.com
+86-755-21673689
www.innodisk.com

© 2016 Innodisk Corporation.
All right reserved. Specifications
are subject to change without
prior notice.

20161207

Ordering Information

Operation Temp.	8GB	16GB	32GB	64GB	128GB	256GB	512GB
Standard Grade (0°C~+70°C)	DRS25-08GD70SCAQB	DRS25-16GD70SCAQB	DRS25-32GD70SCAQB	DRS25-64GD70SCAQB	DRS25-A28D70SCAQB	DRS25-B56D70SCAQB	DRS25-C12D70SCAQT
Industrial Grade (-40°C~+85°C)	DRS25-08GD70SWAQB	DRS25-16GD70SWAQB	DRS25-32GD70SWAQB	DRS25-64GD70SWAQB	DRS25-A28D70SWAQB	DRS25-B56D70SWAQB	DRS25-C12D70SWAQT

innodisk

www.innodisk.com