

Datasheet

OCuLinkDOM 3ME2 series

- PCIe Gen. III x2 NVme 1.3
- Excellent data transfer speed
- DRAM-less, 100% data integrity
- Excellent random performance
- Designed with hardware LDPC ECC engine
- Suit for PCI Express OcuLink SPEC. V1.0



Introduction

Innodisk OcuLinkDOM 3ME2 is an NVM Express DRAM-less SSD designed as the standard OcuLink connector with PCIe interface and MLC NAND Flash. OcuLinkDOM 3ME2 supports PCIe Gen III x2, and it is compliant with NVM 1.3 providing excellent performance. Moreover, it adopts MLC NAND Flash providing high endurance and reliability. With sophisticated error detection and correction (ECC) functions, the module can ensure full End-to-end Data Path Protection that secures the data transmission between host system and NAND Flash.

Innodisk OcuLinkDOM 3ME2 is integrated with Marvell controller which provide both low power consumption and efficient heat dissipation, making the SSD optimal for space-constrained IPCs and server boot-up applications.

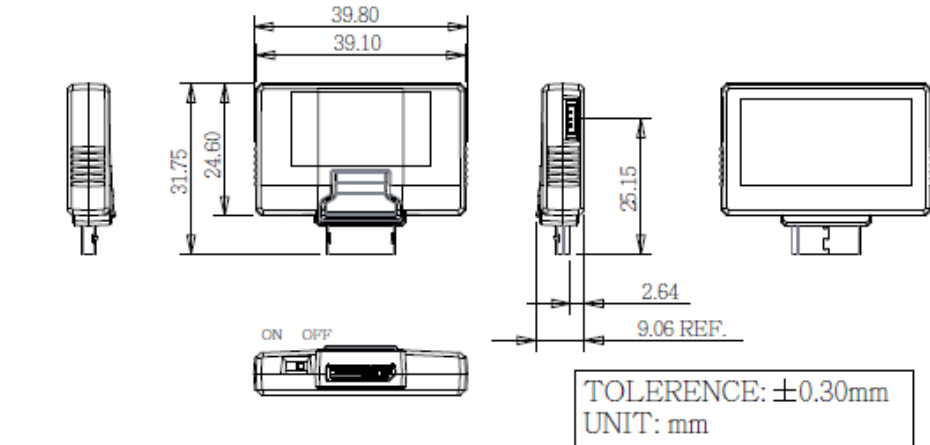
OCuLinkDOM

3ME2 series

Contact us for more information about the OCuLinkDOM 3ME2.

Innodisk is a service-driven provider of industrial embedded flash storage and Dram products and technologies, with a focus on the cloud computing, industrial/embedded, and aerospace and defense industries.

Diagram



Headquarters (Taiwan)

5F., No. 237, Sec. 1, Datong Rd.,
Xizhi Dist., New Taipei City,
Taiwan (R.O.C.)
Tel: +886-2-7703-3000
Email: sales@innodisk.com

Branch Offices:

USA
usasales@innodisk.com
+1-510-770-9421
Europe
eusales@innodisk.com
+31-40-3045-400
Japan
jpsales@innodisk.com
+81-3-6667-0161
China
sales_cn@innodisk.com
+86-755-21673689
www.innodisk.com

© 2017 Innodisk Corporation.
All right reserved. Specifications
are subject to change without
prior notice.

20180928

Specifications

Interface	PCIe Gen. III x2
Flash Type	MLC
Capacity	3,000
Max. Channels	4
Sequential R/W (MB/sec, max.)	1300/360
Max. Power Consumption	2.9W(3.3Vx880mA)
Thermal Sensor	√
Extended DRAM buffer	-
H/W Write Protect	√
ATA Security	√
S.M.A.R.T.	√
Dimension (WxLxH)	31.75 x 39.80 x 9.26mm
Environment	Vibration: 20G @7~2000Hz Shock: 1500G @ 0.5ms Storage Temperature: -55°C ~ +95°C MTBF: 3 million hours

Ordering Information

	32GB	64GB	128GB	256GB
Standard Grade (0°C ~ +70°C)	DEOML-32GM61BCADC	DEOML-64GM61BCAQC	DEOML-A28M61BCAQC	DEOML-B56M61BCAQC
Industrial Grade (-40°C ~ +85°C)	DEOML-32GM61BWADC	DEOML-64GM61BWAQC	DEOML-A28M61BWAQC	DEOML-B56M61BWAQC