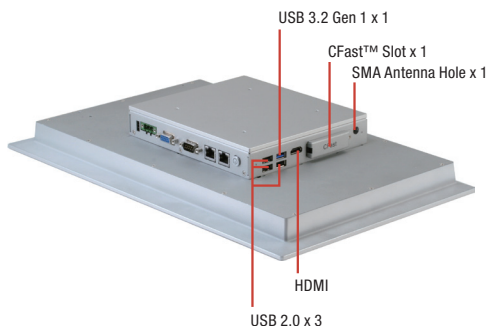
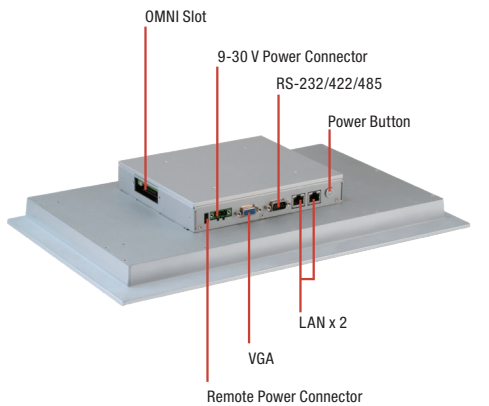
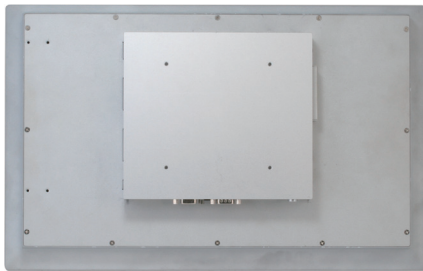


OMNI-2155-BT

15.6" Modular HMI Panel PC with Intel® Celeron® J1900/ N2807 Processor



Features

- Intel® Celeron® J1900/ N2807 Processor
- 15.6" (1366 x 768) TFT LCD Display
- Flat Screen with P-CAP or Resistive Touch Screen
- Easily Expandable I/O by AAEON OMNI I/O Modules
- Multiple Touchscreen
- Aluminum Design
- IP65 Compliant Front Bezel
- Fanless Operation
- Support Remote Power On/Off Connector
- Power Input Protection: Over-Voltage Protection, Low-Voltage Protection, Reverse-Voltage Protection

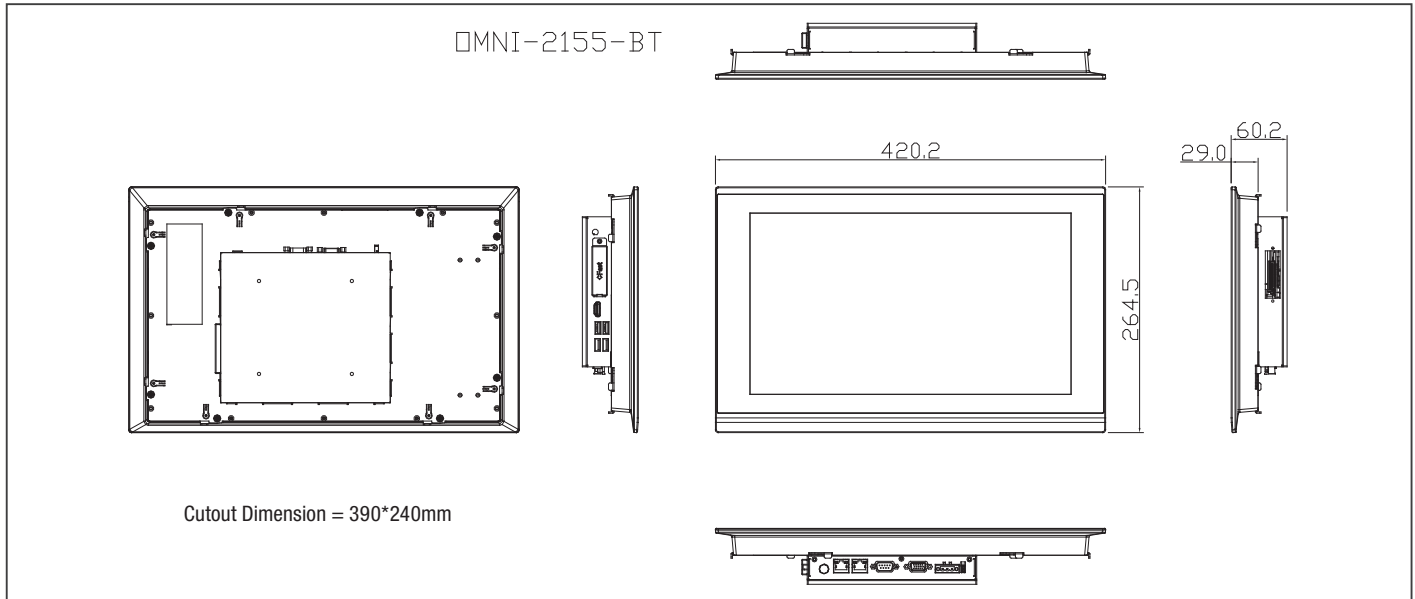


Specifications

System	
Processor	Intel® Celeron® J1900, 2.0 GHz/ N2807, 1.58 GHz
System Memory	204-pin DDR3L 1333MHz SODIMM x 1, up to 8 GB (J1900), 4 GB (N2807)
LCD/CRT Controller	Integrated in Processor
Ethernet	10/100/1000Base-TX, RJ-45 x 2
I/O Port	USB Type A x 1 for USB 3.2 Gen 1, USB Type A x 3 for USB 2.0 SMA antenna hole x 1, HDMI x 1 CFast™ x 1, DB-9 for RS-232/422/485 x 1 RJ-45 x 2 for 10/100/1000Base-TX DB-15 x 1 for VGA 3-pin terminal block x 1 for 9~30 V DC power input LED Power On/Off Switch x 1 (Power on = orange, Power off =N/A)
Storage Disk Drive	CFast™ socket x 1, SATA 2.5" HDD bay x 1
Expansion Slot	Mini-Card x 2 (Full Size), OMNI I/O Connector x 1, SIM x 2
OS support	Windows® 7, Windows® 8, Windows® 10, Linux kernel 2.6.x or higher
Mechanical	
Construction	Aluminum front bezel + metal chassis
Mounting	VESA 100/ Panel mount
Dimension	16.54" x 10.43" x 2.36" (420mm x 265mm x 60mm)
Carton Dimension	20.87" x 17.52" x 7.87" (530mm x 445mm x 200mm)
Gross Weight	14.1 lb (6.4kg)
Environmental	
Operating Temperature	-4°F ~ 140°F (-20°C ~ 60°C) with industrial grade device (with 0.5 m/s air flow, according to IEC68-2-14, CPU: N2807) -4°F ~ 131°F (-20°C ~ 55°C) with industrial grade device (with 0.5 m/s air flow, according to IEC68-2-14, CPU: J1900)
Storage Temperature	-4°F ~ 158°F (-20°C ~ 70°C)
Storage Humidity	90% @40°C, non-condensing
Vibration	1 Grms/ 5 ~ 500 Hz/ Operation (HDD)
Shock	15 G peak acceleration (11 msec. duration)
EMC	CE/FCC class A
Power Supply	
DC input	DC 9 (min.) ~ 30 (max.) V w/ 3-pin terminal block, ATX Power function
LCD	
Display Type	15.6" TFT-LCD, LED backlight
Max Resolution	1366 x 768
Max. Colors	16.7M colors (8-bit for R,G,B)
Luminance	400 cd/m ²
Viewing Angle	160° (H), 140° (V)
Back Light	LED
Back Light MTBF (Hours)	50,000
Touchscreen	
Type	P-CAP/ 5-wire resistive
Light Transmission	P-CAP (90% ± 3%), 5-wire Resistive (80% ± 3%)

Dimension

Unit: mm



Ordering Information

	Part Number	Display Type	Max Resolution	Luminance	View Angle	CPU	LAN	USB 3.2 Gen 1	USB 2.0	RS-232/422/485	Storage	RAM	Display	Internal Expansion	Mounting	Power	Operating Temp.	Touch	OMNI I/O Module Support
Panel PC	OMNI-2155HTT-BT-A1-1011	15.6" TFT LCD	1366 x 768	400 cd/m ²	160°(H) 140°(V)	Intel® Celeron® J1900, 2 GHz	2	1	3	1	CFast™ x 1 2.5" SATA HDD x 1	DDR3L, up to 8 GB	VGA x 1 HDMI x 1	Mini-Card x 2 (Full Size)	VESA 100/ Panel mount	DC 9-30V	-10°C-55°C with airflow	5-wire Resistive	Yes
	OMNI-2155HTT-BT-A2-1011	15.6" TFT LCD	1366 x 768	400 cd/m ²	160°(H) 140°(V)	Intel® N2807, 1.58 GHz	2	1	3	1	CFast™ x 1 2.5" SATA HDD x 1	DDR3L, up to 4 GB	VGA x 1 HDMI x 1		VESA 100/ Panel mount	DC 9-30V	-10°C-60°C with airflow	5-wire Resistive	Yes
	OMNI-2155HTT-BT-A3-1012	15.6" TFT LCD	1366 x 768	400 cd/m ²	160°(H) 140°(V)	Intel® Celeron® J1900, 2 GHz	2	1	3	1	CFast™ x 1 2.5" SATA HDD x 1	DDR3L, up to 8 GB	VGA x 1 HDMI x 1		VESA 100/ Panel mount	DC 9-30V	-10°C-55°C with airflow	Projected capacitive	Yes
	OMNI-2155HTT-BT-A4-1012	15.6" TFT LCD	1366 x 768	400 cd/m ²	160°(H) 140°(V)	Intel® N2807, 1.58 GHz	2	1	3	1	CFast™ x 1 2.5" SATA HDD x 1	DDR3L, up to 4 GB	VGA x 1 HDMI x 1		VESA 100/ Panel mount	DC 9-30V	-10°C-60°C with airflow	Projected capacitive	Yes
Panel Kit	OMNI-215DHTT-KIT-A1-1011	15.6" TFT LCD	1366 x 768	400 cd/m ²	160°(H) 140°(V)	—	—	—	—	—	—	—	—	—	—	—	-10°C-60°C with airflow	5-wire Resistive	No
	OMNI-215DHTT-KIT-A2-1012	15.6" TFT LCD	1366 x 768	400 cd/m ²	160°(H) 140°(V)	—	—	—	—	—	—	—	—	—	—	—	-10°C-60°C with airflow	Projected capacitive	No
CPU Box Kit	OMNI-BT-KIT-A1-1010	—	—	—	—	Intel® Celeron® J1900, 2 GHz	2	1	3	1	CFast™ x 1 2.5" SATA HDD x 1	DDR3L, up to 8 GB	VGA x 1 HDMI x 1	Mini-Card x 2 (Full Size)	VESA 100/ Panel mount	DC 9-30V	-10°C-55°C with airflow	—	Yes
	OMNI-BT-KIT-A2-1010	—	—	—	—	Intel® N2807, 1.58 GHz	2	1	3	1	CFast™ x 1 2.5" SATA HDD x 1	DDR3L, up to 4 GB	VGA x 1 HDMI x 1	Mini-Card x 2 (Full Size)	VESA 100/ Panel mount	DC 9-30V	-10°C-60°C with airflow	—	Yes

Note: * RAM not included

Packing List

- Phoenix Power Connector
- OMNI-2155

Optional Accessories

- **AP-0T9789LA1000**
LCD Monitor Stand 230mm, LA-100
- **1702031802**
Power Cord (US Type)
- **1702031803**
Power Cord (European Type)
- **170203180E**
Power Cord (Japanese Type)
- **1255900849**
12V 84W Power Adapter w/ 3pin Terminal Block
- **1700021500**
Remote Switch Cable, 150 cm

OMNI Module (With AAEON Interface)

- **9741215501**
Mini Card x 2, SIM x 2 Module
- **9741215502**
Dual LAN Module
- **9741215506**
DIO Module
- **9741215508**
Audio Module
- **9741215510**
HMS Kit (Europe Limitation)
- **9741215512**
Wifi 802.11/b/g/n Module
- **9741215513**
RS-485/422/232 x 2 Module
- **9741215515**
USB/ COM/ LAN Module
- **9741215516**
RS-485/422/232 x 4 Module
- **9741215517**
Isolation RS-485/422/232 x 4 Module
- **9741215518**
RS-485/422/232 x 2, DIO x 16 Module

Wide Temperature DRAM

- **9761215500**
2GB Wide Temperature DRAM (-40°C ~ 95°C)
 - **9761215501**
4GB Wide Temperature DRAM (-40°C ~ 95°C)
 - **9761215502**
8GB Wide Temperature DRAM (-40°C ~ 95°C)
- **Users should select the wide temperature DRAM above and use wide temperature storage devices if the OMNI panel pc is to be operated at over 40°C.