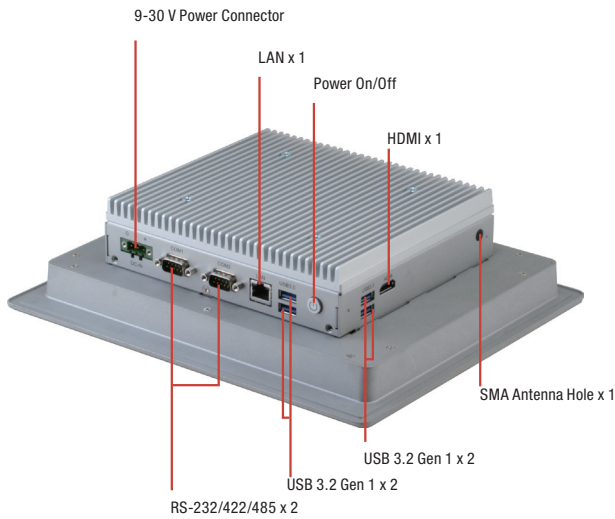


OMNI-3105-SKU

10.4" Modular HMI Panel PC with 6th Generation Intel® Core™ i5-6300U/C-3955U Processor

OMNI Series : Modular Touch Panel Solutions



Features

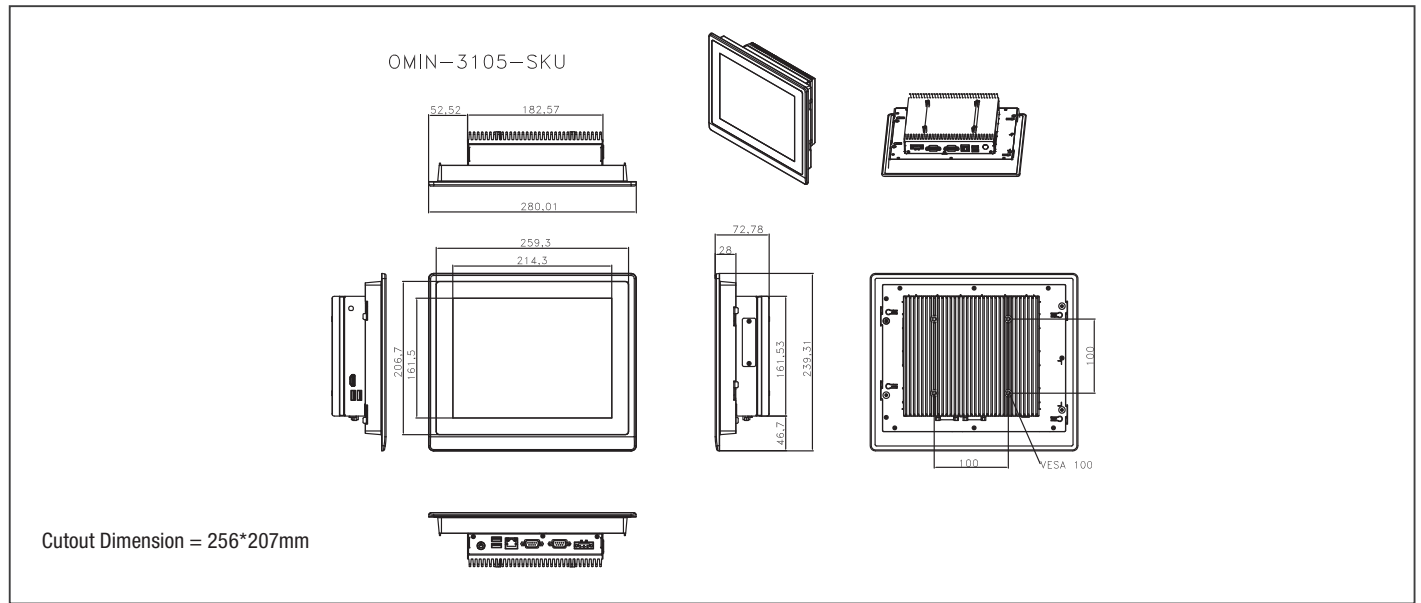
- 10.4" (800 x 600) TFT LCD Display
- Intel® 6th Generation i5-6300U/ C-3955U Processor
- P-CAP or Resistive Touch Screen Support
- Aluminum Design
- IP65 Compliant Front Bezel
- Fanless Operation



Specifications

System	
Processor	Intel® i5-6300U processor, 2.4 GHz Intel® Celeron® 3955U processor, 2.0 GHz
System Memory	260-pin DDR4 SODIMM x 1, up to 16 GB
LCD/CRT Controller	Integrated in processor
Ethernet	Intel® I211, 10/100/1000 Base-TX x 1
I/O Port	USB 3.2 Gen 1 Type A x 4 SMA Antenna hole x 1 HDMI x 1 DB-9 Type RS-232/422/485 x 2 RJ-45 Type 10/100/1000 Base-TX x 1 3-pin terminal block x 1 for 9~30 Vdc power input LED Power on/off switch x1 (Power on = Orange, Power off =N/A)
Storage Disk Drive	2.5" SATA HDD bay x 1
Expansion Slot	Full Size Mini card x 1 SIM card x 1 OMNI I/O connector x 1
OS support	Windows® 8.1, Windows® 10 (64 bit), Linux Kernel 2.6.x or higher
Mechanical	
Construction	Aluminum design (IP65 Front Frame)
Mounting	VESA 100/ Panel Mount
Dimension	11.02" x 9.41" x 2.87" (280mm x 239mm x 73 mm)
Carton Dimension	16.34" x 7.05" x 15.39" (415mm x 179mm x 391mm)
Gross Weight	8.82 lb (4 kg)
Environmental	
Operating Temperature	-4°F ~ 131°F (-20°C ~ 55°C) with 0.5 m/s airflow (Industrial Grade HDD)
Storage Temperature	-4°F ~ 158°F (-20°C ~ 70°C)
Storage Humidity	90% @40°C, non-condensing
Vibration	1 Grms/ 5~ 500Hz/ operation – with HDD
Shock	15 G peak acceleration (11 msec. duration) – with HDD
EMC	CE/FCC class A
Power Supply	
DC input	DC 9 (min.) ~ 30 (max.) V w/3-pin terminal block, ATX Power function
LCD	
Display Type	10.4" TFT-LCD, LED
Max Resolution	800 (H) x 600 (V)
Max. Colors	16.2M colors
Luminance	230 cd/m²
Viewing Angle	120 (H), 100 (V)
Back Light	LED
Back Light MTBF (Hours)	50,000
Touchscreen	
Type	P-CAP/ 5-wire resistive
Light Transmission	P-CAP (90% ± 3%), 5-wire Resistive (80% ± 3%)

Dimension Unit: mm



Ordering Information

	Part Number	Display Type	Max Resolution	Luminance	View Angle	CPU	LAN	USB 3.2 Gen 1	RS-232/422/485	Storage	RAM	Display	Internal Expansion	Mounting	Power	Operating Temp.	Touch	OMNI I/O Module Support
Panel PC	OMNI-3105HTT-SKU-A1-1110	10.4" TFT LCD	800 x 600	230 cd/m ²	120°(H) 100°(V)	Intel® i5-6300U, 2.4 GHz	1	4	2	2.5" SATA HDD x 1	DDR4, up to 16GB	HDMI x 1	Mini-Card x 1 (Full Size)	VESA 100/ Panel mount	DC 9~30V	-20°C~55°C with airflow	5-wire Resistive	No
	OMNI-3105HTT-SKU-A2-1110	10.4" TFT LCD	800 x 600	230 cd/m ²	120°(H) 100°(V)	Intel® Celeron® 3955U, 2 GHz	1	4	2	2.5" SATA HDD x 1	DDR4, up to 16GB	HDMI x 1	Mini-Card x 1 (Full Size)	VESA 100/ Panel mount	DC 9~30V	-20°C~55°C with airflow	5-wire Resistive	No
	OMNI-3105HTT-SKU-A3-1110	10.4" TFT LCD	800 x 600	230 cd/m ²	120°(H) 100°(V)	Intel® i5-6300U, 2.4 GHz	1	4	2	2.5" SATA HDD x 1	DDR4, up to 16GB	HDMI x 1	Mini-Card x 1 (Full Size)	VESA 100/ Panel mount	DC 9~30V	-20°C~55°C with airflow	Projected capacitive	No
	OMNI-3105HTT-SKU-A4-1110	10.4" TFT LCD	800 x 600	230 cd/m ²	120°(H) 100°(V)	Intel® Celeron® 3955U, 2 GHz	1	4	2	2.5" SATA HDD x 1	DDR4, up to 16GB	HDMI x 1	Mini-Card x 1 (Full Size)	VESA 100/ Panel mount	DC 9~30V	-20°C~55°C with airflow	Projected capacitive	No
Panel Kit	OMNI-310DHTT-KIT-A1-1011	10.4" TFT LCD	800 x 600	230 cd/m ²	120°(H) 100°(V)	—	—	—	—	—	—	—	—	—	—	-20°C~55°C with airflow	5-wire Resistive	No
	OMNI-310DHTT-KIT-A2-1011	10.4" TFT LCD	800 x 600	230 cd/m ²	120°(H) 100°(V)	—	—	—	—	—	—	—	—	—	—	-20°C~55°C with airflow	Projected capacitive	No
CPU BOX Kit	OMNI-SKU-KIT-A1-1110	—	—	—	—	Intel® i5-6300U, 2.4 GHz	1	4	2	2.5" SATA HDD x 1	DDR4, up to 16GB	HDMI x 1	Mini-Card x 1 (Full Size)	VESA 100/ Panel mount	DC 9~30V	-20°C~55°C with airflow	—	Yes
	OMNI-SKU-KIT-A2-1110	—	—	—	—	Intel® Celeron® 3955U, 2 GHz	1	4	2	2.5" SATA HDD x 1	DDR4, up to 16GB	HDMI x 1	Mini-Card x 1 (Full Size)	VESA 100/ Panel mount	DC 9~30V	-20°C~55°C with airflow	—	Yes
	OMNI-SKU-KIT-A3-1110	—	—	—	—	Intel® i7-6600U Processor	1	4	2	2.5" SATA HDD x 1	DDR4, up to 16GB	HDMI x 1	Mini-Card x 1 (Full Size)	Wall mount	DC 9~30V	-20°C~55°C with airflow	—	Yes
	OMNI-SKU-KIT-A4-1110	—	—	—	—	Intel® i3-6100U Processor	1	4	2	2.5" SATA HDD x 1	DDR4, up to 16GB	HDMI x 1	Mini-Card x 1 (Full Size)	Wall mount	DC 9~30V	-20°C~55°C with airflow	—	Yes

Note: 1. AAEON OMNI Modular display kit only workable for OMNI-BOX Kit 2. RAM not included

Packing List

- Phoenix Power Connector
- OMNI-3105-SKU

OMNI Module (with AAEON Interface)

- TBD

Optional Accessories

- AP-0T9789LA1000 LCD Monitor Stand 230mm, LA-100
- 1702031802 Power Cord (US Type)
- 1702031803 Power Cord (European Type)
- 170203180E Power Cord (Japanese Type)
- 1255900849 12V 84W Power Adapter w/3pin Terminal Block

Wide Temperature DRAM

- AP-DR968D4004G9 4GB Wide Temperature DRAM (-40°C ~ 85°C)
 - AP-DR968D4008GA 8GB Wide Temperature DRAM (-40°C ~ 85°C)
 - AP-DR968D4016G7 16GB Wide Temperature DRAM (-40°C ~ 85°C)
- **Users should select the wide temperature DRAM above and use wide temperature storage devices if the OMNI panel pc is to be operated at over 40°C.