

UC-8410A Series

Arm Cortex-A7 dual-core 1 GHz IloT gateway with 1 expansion slot for a wireless module, 3 LAN ports, 8 serial ports, 4 DIs, 4 DOs



Features and Benefits

- Freescale LS1021A Cortex-A7 1 GHz dual-core processor
- 1 GB DDR3 SDRAM
- 8 RS-232/422/485 serial ports
- 3 10/100/1000 Mbps Ethernet ports
- Wireless-enabled with PCIe mini slot
- 2 USB 2.0 hosts for mass storage devices
- Wall-mounting installation
- Robust, fanless design
- -40 to 75°C wide-temperature model available
- Ready-to-run Debian 8

Certifications



Introduction

The UC-8410A Series embedded computers support a rich collection of communication interfaces, including 8 RS-232/422/485 serial ports, 3 Ethernet ports, 1 PCIe mini slot for a wireless module, 4 digital input channels, 4 digital output channels, 1 mSATA slot, and 2 USB 2.0 hosts.

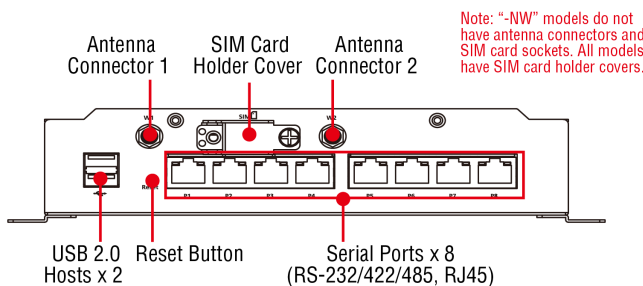
The UC-8410A computer uses the Freescale Cortex-A7 dual-core 1 GHz RISC CPU. This powerful computing engine supports several useful communications functions, without generating too much heat. The built-in 8 GB eMMC card and 1 GB DDR3 SDRAM give you enough memory to run your application software, and the mSATA slot provides the flexibility of adding additional data storage.

The UC-8410A computers come with a variety of communication interfaces, including serial ports, Ethernet ports, wireless communication slot, and digital input/output channels, making them ideal as communication platforms for industrial applications that require network and device communications.

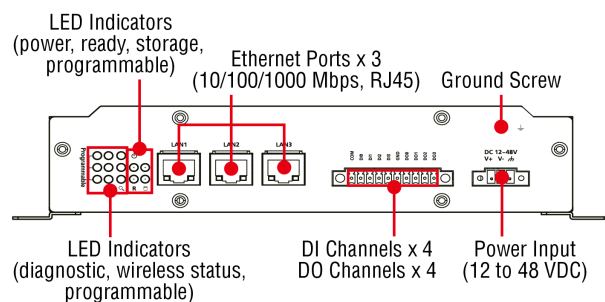
The UC-8410A Series comes with Linux Debian 8 preinstalled to provide an open software operating system for software program development. This makes the UC-8410A computer an optimal solution for use with industrial applications, but at minimal cost and effort. In addition to the standard model of the UC-8410A, a -40 to 75°C wide-temperature model is available for harsh industrial environments.

Appearance

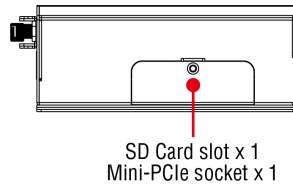
Front View



Rear View



Left View



Specifications

Computer

CPU	Armv7 Cortex-A7 dual-core 1 GHz
System Memory Pre-installed	1 GB DDR3L
Storage Pre-installed	8 GB eMMC
Pre-installed OS	Linux Debian 8 (kernel 4.1)
Storage Slot	SD slots x 1 mSATA slots x 1, internal mini-PCle socket

Computer Interface

Ethernet Ports	Auto-sensing 10/100/1000 Mbps ports (RJ45 connector) x 3
USB 2.0	USB 2.0 hosts x 2, type-A connectors
Digital Input	DIs x 4
Digital Output	DOs x 4
Expansion Slots	UC-8410A-LX Series: 1
Cellular Antenna Connector	UC-8410A-LX Series: 2
Number of SIMs	UC-8410A-LX Series: 1
SIM Format	UC-8410A-LX Series: Mini
Console Port	1 x 4-pin header to DB9 console port
Serial Ports	RS-232/422/485 ports x 8, software-selectable (RJ45)

Digital Inputs

Channel-to-Channel Isolation	3000 VDC
Connector	Screw-fastened Euroblock terminal
Dry Contact	On: short to GND Off: open
Sensor Type	Dry contact Wet contact (NPN or PNP)
Wet Contact (DI to COM)	On: 10 to 30 VDC Off: 0 to 3 VDC

Digital Outputs

Connector	Screw-fastened Euroblock terminal
Current Rating	200 mA per channel

I/O Type	Sink
Voltage	Open-drain to 30 VDC
LED Indicators	
System	Power x 1 System Ready x 1 Storage x 1 Programmable x 10
LAN	2 per port (10/100/1000 Mbps)
Serial	2 per port (Tx, Rx)
Serial Interface	
Baudrate	50 bps to 115.2 kbps
Flow Control	RTS/CTS, XON/XOFF, ADDC® (automatic data direction control) for RS-485, RTS Toggle (RS-232 only)
Parity	None, Even, Odd, Space, Mark
Data Bits	5, 6, 7, 8
Stop Bits	1, 1.5, 2
Serial Signals	
RS-232	TxD, RxD, RTS, CTS, DTR, DSR, DCD, GND
RS-422	Tx+, Tx-, Rx+, Rx-, GND
RS-485-2w	Data+, Data-, GND
RS-485-4w	Tx+, Tx-, Rx+, Rx-, GND
Power Parameters	
Input Voltage	12 to 48 VDC
Power Connector	Terminal block (for DC models)
Power Consumption	19 W (max.)
Physical Characteristics	
Housing	Metal
IP Rating	IP30
Dimensions	200 x 120 x 48.6 mm (7.87 x 4.72 x 1.91 in)
Weight	1,000 g (2.21 lb)
Installation	Wall mounting (standard)
Environmental Limits	
Operating Temperature	Standard Models: -10 to 60°C (14 to 140°F) Wide Temp. Models: -40 to 75°C (-40 to 167°F)
Storage Temperature (package included)	Standard Models: -20 to 75°C (-4 to 167°F) Wide Temp. Models: -40 to 85°C (-40 to 185°F)
Ambient Relative Humidity	5 to 95% (non-condensing)

Standards and Certifications

EMC	EN 55032/24
EMI	CISPR 32, FCC Part 15B Class A
EMS	IEC 61000-4-2 ESD: Contact: 4 kV; Air: 8 kV IEC 61000-4-3 RS: 80 MHz to 1 GHz: 3 V/m IEC 61000-4-4 EFT: Power: 0.5 kV; Signal: 0.5 kV IEC 61000-4-5 Surge: Power: 0.5 kV; Signal: 1 kV IEC 61000-4-6 CS: 3 V IEC 61000-4-8 PFMF
Safety	UL 60950-1
Shock	IEC 60068-2-27
Vibration	IEC 60068-2-64

Declaration

Green Product	RoHS, CRoHS, WEEE
---------------	-------------------

Warranty

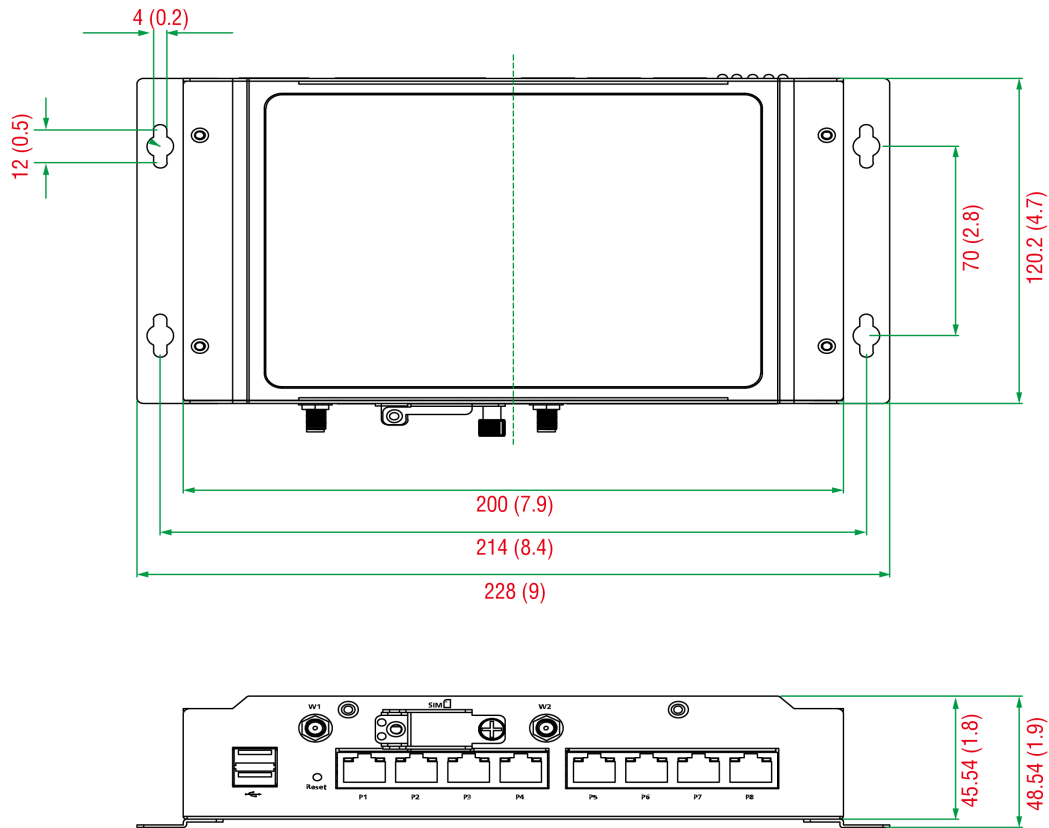
Warranty Period	5 years
Details	See www.moxa.com/warranty

Package Contents

Device	1 x UC-8410A Series computer
Installation Kit	1 x terminal block, 3-pin 1 x wall-mounting kit
Cable	1 x 4-pin header to DB9 console cable 1 x terminal block to power jack converter
Documentation	1 x document and software CD 1 x quick installation guide 1 x warranty card

Dimensions

Unit: mm (inch)



Ordering Information

Model Name	CPU	OS	RAM	eMMC	mSATA	mPCIe Slot for Wireless Module	SIM Slots	USB	Ethernet Ports	Serial Ports	DIO Ports	Operating Temp.
UC-8410A-LX	Armv7 Cortex-A7 dual-core 1 GHz	Debian 8	1 GB	8 GB	1 slot	✓	1	2	3	8	4 x DI, 4 x DO	-10 to 60°C
UC-8410A-T-LX	Armv7 Cortex-A7 dual-core 1 GHz	Debian 8	1 GB	8 GB	1 slot	✓	1	2	3	8	4 x DI, 4 x DO	-40 to 75°C
UC-8410A-NW-LX	Armv7 Cortex-A7 dual-core 1 GHz	Debian 8	1 GB	8 GB	1 slot	-	-	2	3	8	4 x DI, 4 x DO	-10 to 60°C
UC-8410A-NW-T-LX	Armv7 Cortex-A7 dual-core 1 GHz	Debian 8	1 GB	8 GB	1 slot	-	-	2	3	8	4 x DI, 4 x DO	-40 to 75°C

Accessories (sold separately)

Antennas

ANT-WDB-ARM-02	2.4/5 GHz, omni-directional rubber duck antenna, 2 dBi, RP-SMA (male)
----------------	---

Cables

CBL-F9DPF1x4-BK-100	Console cable with 4-pin connector, 1 m
---------------------	---

Power Cords

PWC-C7AU-2B-183	Power cord with Australian (AU) plug, 2.5A/250V, 1.83 m
PWC-C7CN-2B-183	Power cord with two-prong China (CN) plug, 1.83 m
PWC-C7EU-2B-183	Power cord with Continental Europe (EU) plug, 2.5A/250V, 1.83 m
PWC-C7UK-2B-183	Power cord with United Kingdom (UK) plug, 2.5A/250V, 1.83 m
PWC-C7US-2B-183	Power cord with United States (US) plug, 10A/125V, 1.83 m

Power Adapters

PWR-24270-DT-S1	Power adapter, input voltage 90 to 264 VAC, output voltage 24 V with 2.5 A DC load
-----------------	--

Wi-Fi Wireless Modules

Wi-Fi-BGN(252NI)	Wi-Fi module, 2 antennas with cable and connector, 2 black screws, 2 lock washers, 2 nuts, 1 thermal pad
------------------	--

© Moxa Inc. All rights reserved. Updated Jan 21, 2020.

This document and any portion thereof may not be reproduced or used in any manner whatsoever without the express written permission of Moxa Inc. Product specifications subject to change without notice. Visit our website for the most up-to-date product information.